

Coil and Sprue Bush Heaters in ID Listing



240V

PART NO.	HEATER I.D.(MM)	LENGTH (MM)	HEATER O.D.(MM)	POWER (WATTS)	THERMOCOUPLE	NOZZLE ASSEMBLY
SCH1225	12.50	25.00	18.40	200	INCLUDED	GMB0035M
SCH1255	12.50	55.00	18.40	300	INCLUDED	GMB0065M
SSTC6290	12.70	38.10	19.05	250	INCLUDED	COOL ONE HNC 46 & 66
SSTC7290	12.70	44.45	19.05	250	INCLUDED	COOL ONE HNC 47 & 67
SSTC42	12.70	63.50	19.05	450	INCLUDED	SSBT44XX
SSTC4290	12.70	63.50	19.05	450	INCLUDED	SSBT44XX
SSTC32	12.70	117.48	19.05	300	INCLUDED	SSBT65XX
SSTC3290	12.70	117.48	19.05	300	INCLUDED	SSBT65XX
SCH0003	15.88	25.40	20.90	225	TC0003	OBSOLETE US MINI
SCH0081	15.88	50.80	21.00	300	INCLUDED	EHA0001
RBP06053	15.88	53.00	21.00	460	TMP01080	POLIMAX 200 SERIES
SCH0082	15.88	63.50	21.00	350	INCLUDED	EHA0002
RBP06065	15.88	65.00	21.00	460	TMP01100	POLIMAX 200 SERIES
SCH0083	15.88	76.20	21.00	400	INCLUDED	EHA0003
RBP06078	15.88	78.00	21.00	690	TMP01120	POLIMAX 200 SERIES
SCH0084	15.88	88.90	21.00	425	INCLUDED	EHA0004
RBP06092	15.88	92.00	21.00	690	TMP01140	POLIMAX 200 SERIES
SCH0085	15.88	101.60	21.00	500	INCLUDED	EHA0005
RBP06104	15.88	104.00	21.00	760	TMP01160	POLIMAX 200 SERIES
SCH0086	15.88	127.00	21.00	500	INCLUDED	EHA0006
RBP06129	15.88	129.00	21.00	850	TMP01180	POLIMAX 200 SERIES
SCH0087	15.88	152.40	21.00	550	INCLUDED	EHA0007
RBP06155	15.88	155.00	21.00	1100	TMP01200	POLIMAX 200 SERIES
GMH1940	19.00	40.00	24.00	325	INCLUDED	GML1042/52 & 3842/52
GMH1950	19.00	52.00	24.00	375	INCLUDED	GML1060/70 & 3860/70
GMH1960	19.00	74.00	24.00	400	INCLUDED	GML1080/90 & 3880/90
GMH1970	19.00	94.00	24.00	450	INCLUDED	GML1100/110 & 3900/910
GMH1980	19.00	114.00	24.00	500	INCLUDED	GML1120/130 & 3920/930
SCH0004	19.05	30.15	24.00	225	TCG0100	GMB0116/0117/0118
SCH0060	19.05	36.50	23.70	250	TCG0060	GMB0050/0150
SCH3142	19.05	38.10	25.60	315	TC9600	GMB5232
SCH0061	19.05	49.20	23.70	300	TCG0061	GMB0051/0151
SCH0062	19.05	61.90	23.70	350	TCG0062	GMB0052/0152
SCH3242	19.05	63.50	25.60	315	TC9700	GMB5332

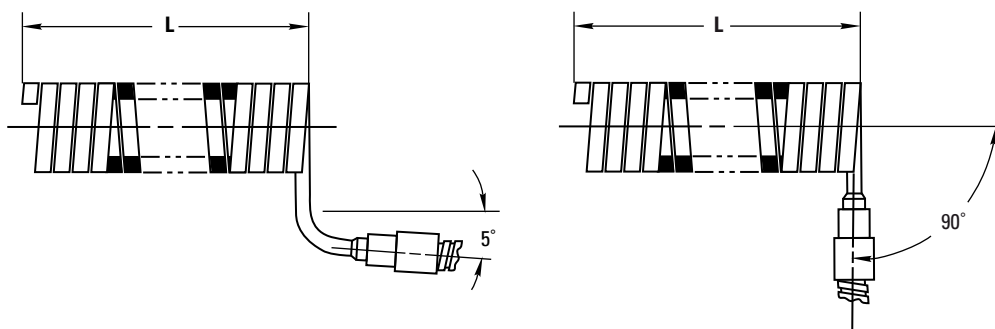
Coil and Sprue Bush Heaters in ID Listing

PART NO.	HEATER I.D.(MM)	LENGTH (MM)	HEATER O.D.(MM)	POWER (WATTS)	THERMOCOUPLE	NOZZLE ASSEMBLY
SCH0063	19.05	74.60	23.70	400	TCG0063	GMB0053/0153
SCH0064	19.05	87.30	23.70	425	TCG0064	GMB0054/0154
SCH0065	19.05	112.70	23.70	500	TCG0065	GMB0055/0155
SCH0066	19.05	138.10	23.70	500	TCG0066	GMB0056/0156
SCH0088	22.22	53.98	28.00	400	INCLUDED	EHA0008
RBP10056	22.22	56.00	28.00	500	TMP01080	POLIMAX 500 SERIES
SCH0089	22.22	66.68	28.00	450	INCLUDED	EHA0009
RBP10069	22.22	69.00	28.00	690	TMP01100	POLIMAX 500 SERIES
SCH0090	22.22	79.38	28.00	550	INCLUDED	EHA0010
RBP10081	22.22	81.00	28.00	760	TMP01120	POLIMAX 500 SERIES
SCH0091	22.22	92.08	28.00	700	INCLUDED	EHA0011
RBP10094	22.22	94.00	28.00	760	TMP01140	POLIMAX 500 SERIES
SCH0092	22.22	104.78	28.00	800	INCLUDED	EHA0012
RBP10107	22.22	107.00	28.00	760	TMP01160	POLIMAX 500 SERIES
SCH0093	22.22	130.18	28.00	900	INCLUDED	EHA0013
RBP10131	22.22	131.00	28.00	850	TMP01180	POLIMAX 500 SERIES
SCH0094	22.22	155.58	28.00	1000	INCLUDED	EHA0014
RBP10158	22.22	158.00	28.00	1100	TMP01200	POLIMAX 500 SERIES
SCH0095	22.22	180.98	28.00	1100	INCLUDED	EHA0015
RBP10183	22.22	183.00	28.00	1300	TMP01220	POLIMAX 500 SERIES
SCH0002	31.75	44.45	37.70	600	TC0002	GMB0008/0018
SCH0001	31.75	69.85	37.70	800	TC0001	GMB0008/0018
SCH0096	38.10	101.60	43.00	1000	INCLUDED	EHA0016
SCH0097	38.10	127.00	43.00	1030	INCLUDED	EHA0017
SCH0098	38.10	152.40	43.00	1100	INCLUDED	EHA0018
SCH0099	38.10	177.80	43.00	1000	INCLUDED	EHA0019
SCH0100	38.10	203.20	43.00	1200	INCLUDED	EHA0020
SCH0101	38.10	228.60	43.00	1200	INCLUDED	EHA0021
SCH0102	38.10	254.00	43.00	1200	INCLUDED	EHA0022

Available On Request:

Heaters with 90° exit leads. Add "90" to item number.

Example: SSTC-32-90



Nozzle Heaters for Injection Moulding



Features

- Square coil design for improved heat transfer
- High watt density on nozzle ... up to 106 watts/in²
- Heat is conducted from entire heater circumference... 360° heat
- Unheated tail section reduces temperature at adapter
- Moisture-resistant seal
- Low profile
- 1200°F maximum operating temperature
- Available from stock

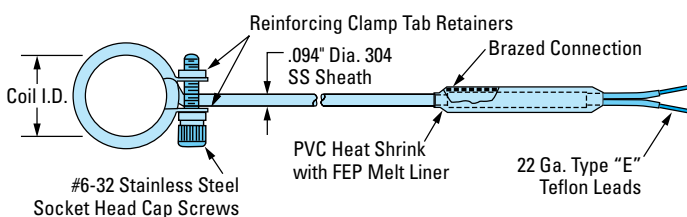
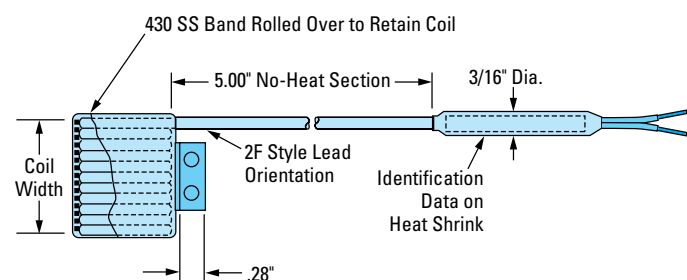
This nozzle heater features a five-inch long unheated tail section, and the adapter is provided with a moisture-resistant seal. These two design advantages practically eliminate failures in the adapter area due to overheating and moisture contamination.

As with all DME heaters, these new nozzle heaters are designed to give long life even when operated at 1200°F. These are very low profile heaters to facilitate easy installation in the tight environment of multiple gate Moulds.

All units have a resistance tolerance of ±5% to provide consistent operation and reduced adjustment time when it is necessary to replace a heater or bushing.

A stainless steel clamping band is installed on all units.

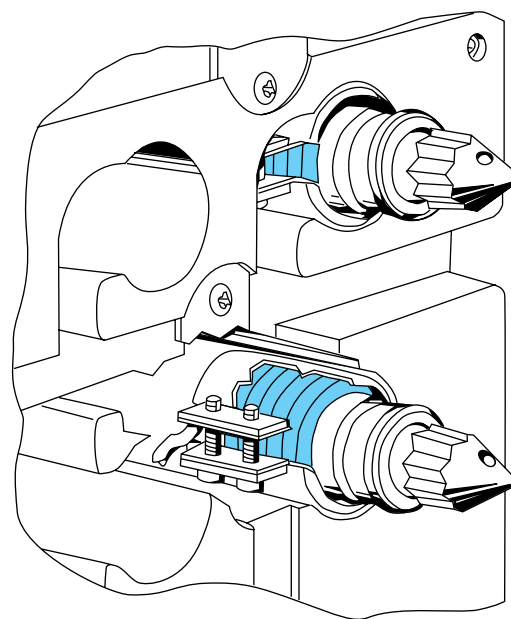
All units are stock coiled per the dimensions listed below. All units have Teflon covered power leads and fiberglass thermocouple leads as indicated.



Nozzle Heaters (240 VAC)

WATTS	COIL I.D.	COIL O.D.	COIL WIDTH	LEAD LENGTH	THERMO-COUPLE	ITEM NUMBER
125	.750	.980	1.0"	36"	NO	SCH0103
125	.750	.980	1.0"	72"	NO	SCH0104
250	.750	.980	1.0"	36"	NO	SCH0105
250	.750	.980	1.0"	72"	NO	SCH0106
125	.750	.980	1.0"	36"	YES*	SCH0107
250	.750	.980	1.0"	36"	YES*	SCH0108
125	.875	1.10	1.0"	36"	NO	SCH0109
250	.875	1.10	1.0"	36"	NO	SCH0110

*A thermocouple is externally spotwelded to the sheath.



This installation illustrates DME's square coil design fit over a nozzle. This heater was designed to fit any industry nozzle as a replacement for runnerless Moulding.