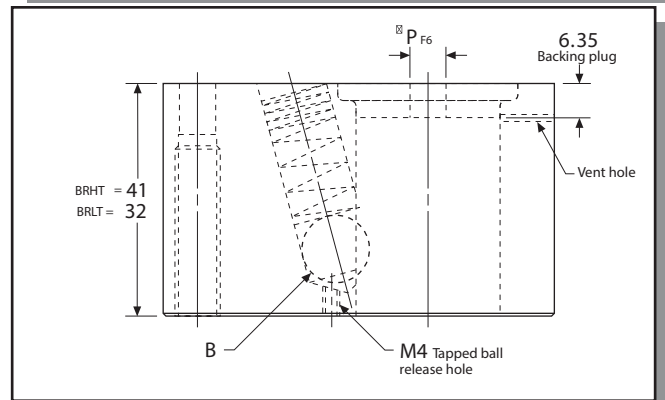
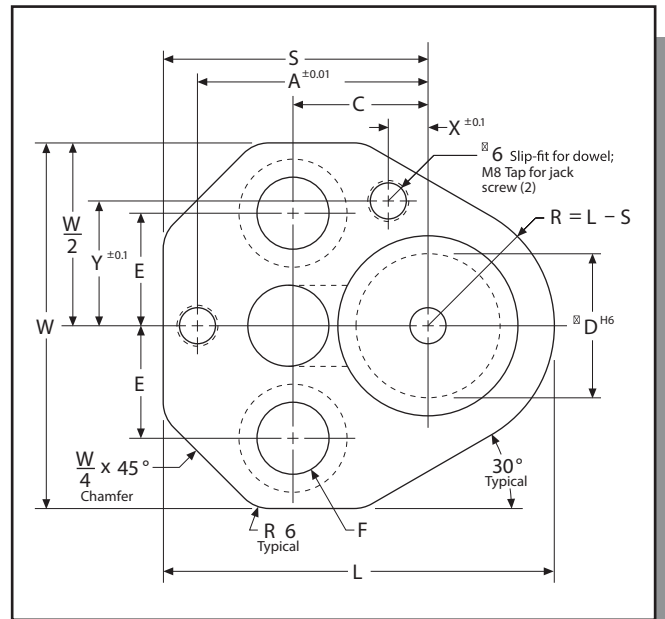
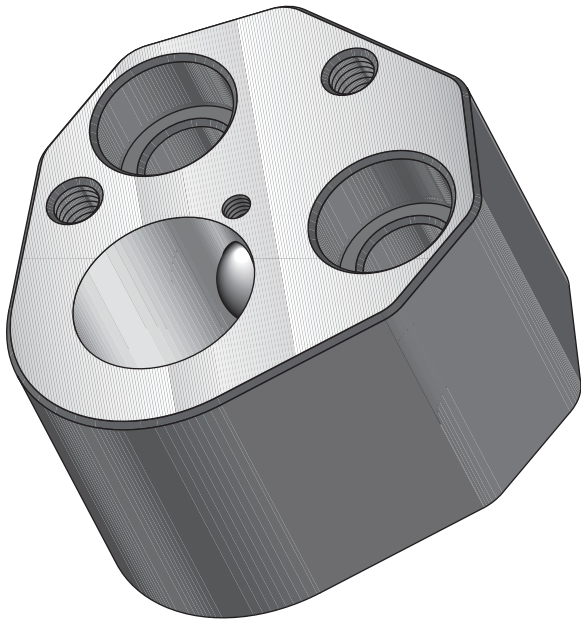




Ball-Lock **R**etainer **H**eavy-Duty **T**riangle



Ball-Lock **R**etainer **L**ight-Duty **T**riangle



Ordering Example:
(36) BRHT 25

- Retainer set includes:
- 2 Socket head cap screws
- 2 Vented and tapped dowels
- 1 Ball release set screw

Heavy-Duty



Type	"D"	"W"	"L"	"S"	"A"	"C"	"E"	"X"	"Y"	"B"	"F"
BRHT	10	41.0	43.5	34.0	26.924	19.05	11.12	7.5	9.0	10.0	M8
BRHT	13	48.5	49.6	37.0	29.972	19.05	14.27	6.5	12.0	12.0	M8
BRHT	16	51.7	52.7	38.6	31.750	19.05	15.87	6.0	13.5	12.0	M8
BRHT	20	56.8	59.3	41.9	33.528	19.05	17.47	5.0	16.5	12.0	M10
BRHT	25	64.5	68.9	46.7	40.640	23.82	19.84	7.0	22.0	12.0	M12
BRHT	32	64.5	68.9	46.7	40.640	23.82	19.84	7.0	22.0	12.0	M12
BRHT	40	72.9	76.4	50.5	43.993	27.00	24.00	10.0	26.0	12.0	M12

Light-Duty



Type	"D"	"W"	"L"	"S"	"A"	"C"	"E"	"X"	"Y"	"B"	"P"	"F"
BRLT	6	37.5	35.0	27.0	23.000	19.00	11.10	9.0	8.0	6.0	3.0	M6
BRLT	10	41.0	43.5	34.0	26.924	19.05	11.12	7.5	9.0	8.0	6.0	M8
BRLT	13	48.5	49.6	37.0	29.972	19.05	14.27	6.5	12.0	8.0	6.0	M8
BRLT	16	51.7	52.7	38.6	31.750	19.05	15.87	6.0	13.5	8.0	6.0	M8
BRLT	20	56.8	59.3	41.9	33.528	19.05	17.47	5.0	16.5	8.0	6.0	M10
BRLT	25	64.5	68.9	46.7	40.640	23.82	19.84	7.0	22.0	8.0	6.0	M12
BRLT	32	64.5	68.9	46.7	40.640	23.82	19.84	7.0	22.0	8.0	6.0	M12
BRLT	38	72.9	76.4	50.5	43.993	27.00	24.00	10.0	26.0	8.0	6.0	M12

Made better to last longer

All specifications, dimensions and design characteristics shown are subject to change without notice

Quality Craftsmanship Assured

Email: sales@diemouldequipment.com.au

Die Mould Equipment

Web: www.diemouldequipment.com.au

© The copyright in this material vests in Die Mould Equipment Pty Ltd and may not be reproduced, adapted or communicated without the express written permission of the copyright owner.