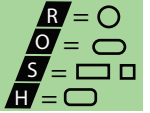
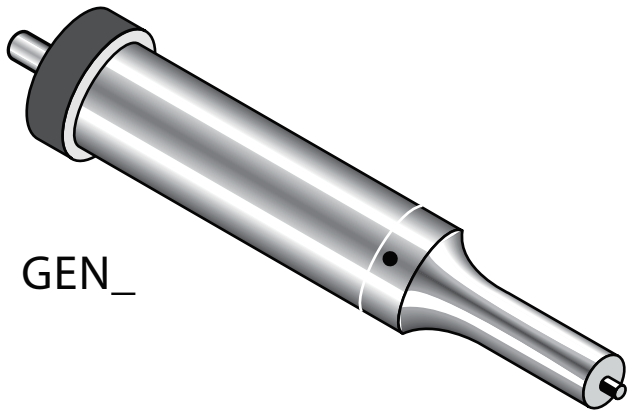




General Ejector Numerical



ISO 8020



GEN_

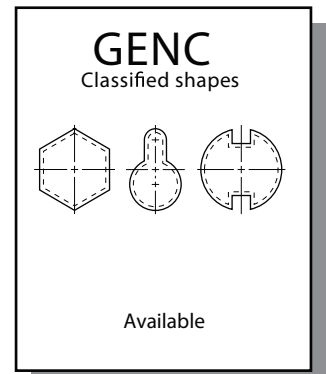
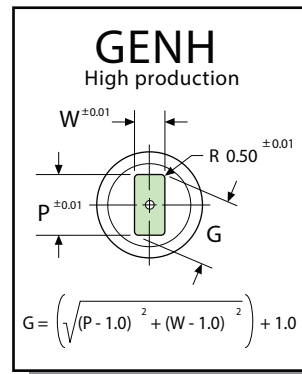
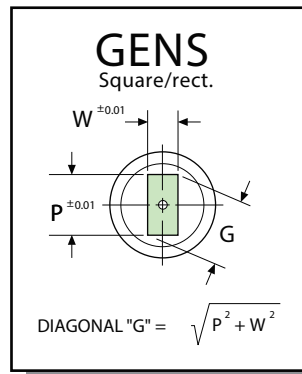
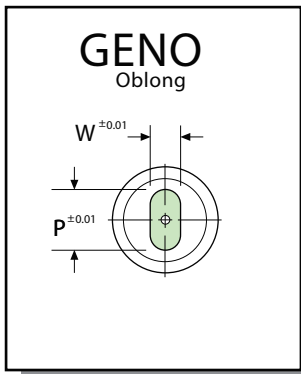
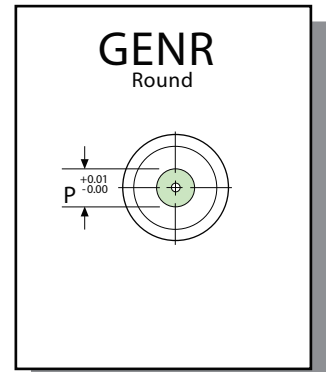
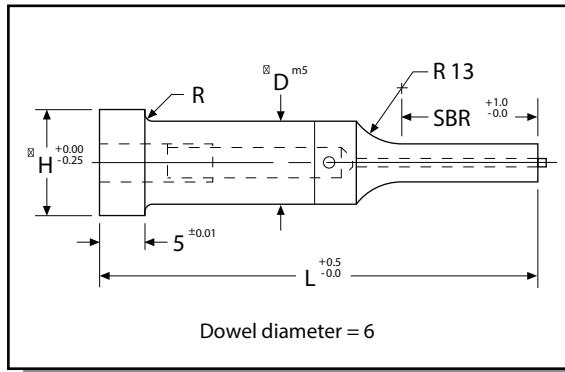
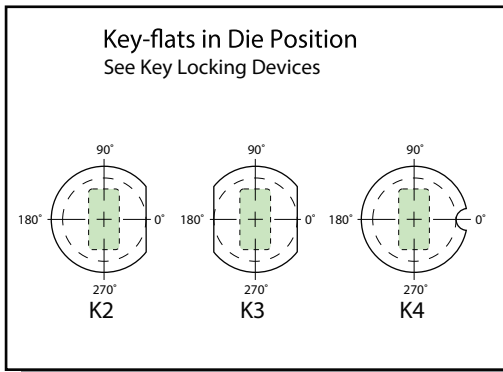
Ordering Example:
(12) GENR 13-13-71 A2 P10.1

Ordering Example:
(12) GENO 20-19-80 A2 P18.2 W9.5 K2

A2,R/c 60-63 double tempered

Heads drawn to Rc 40-55

Round P to D	0.01	
Shape P & W to D	0.02	



Type	"D"	Point Length "SBR"					Overall Length "L"				Round Min. "P"	Shape Min. "W"	Head Dia. "H"	Ejector Type
		10	13	19	25	32	71	80	90	100				
GEN_	10	10	13	19			71	80	90	100	4.0	4.0	13	E6M
GEN_	13	10	13	19			71	80	90	100	4.0	4.0	16	E6M
GEN_	16		13	19	25		71	80	90	100	5.7	5.7	19	E9M
GEN_	20		13	19	25		71	80	90	100	5.7	5.7	24	E9M
GEN_	25		13	19	25		71	80	90	100	5.7	5.7	29	E9M
GEN_	32			19	25	32	71	80	90	100	9.9	9.9	36	E9M