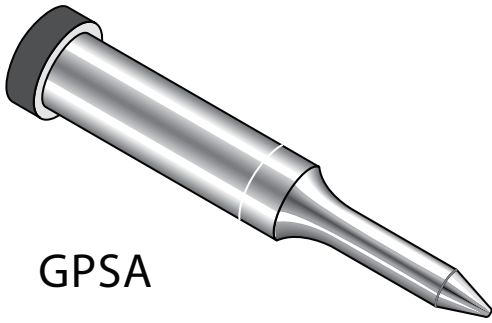




General Punch Shoulder Angular Pilot

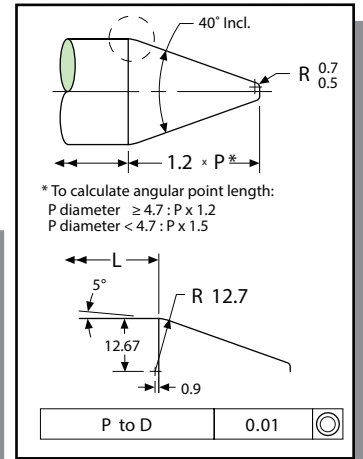
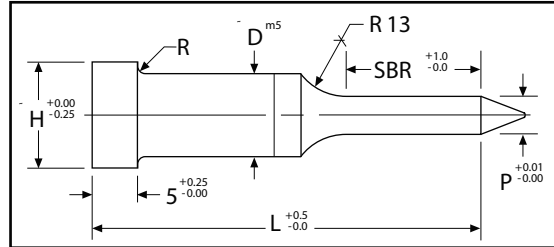


GPSA

Ordering Example:
(18) GPSA 32-32-110 M2 P28.1

A2, R/c 60-63 double tempered
M2, R/c 60-63 triple tempered

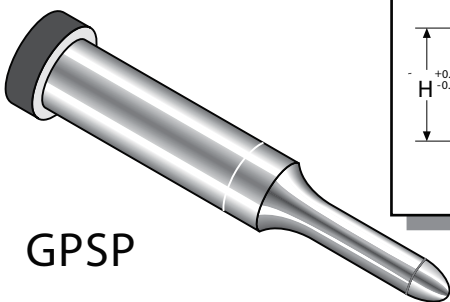
Heads drawn to Rc 40-55



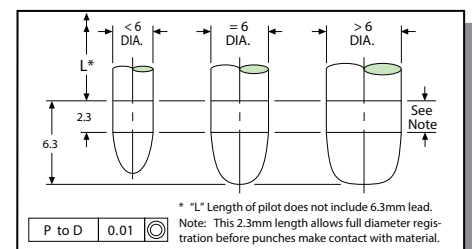
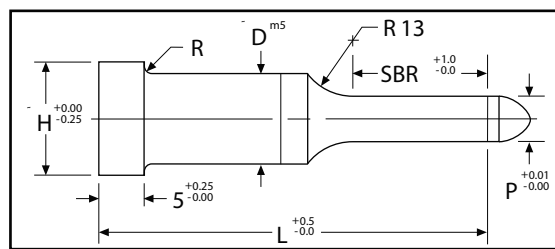
Type	"D"	Point Length "SBR"						Length "L"								Min. "P"	Head Dia. "H"
		8	10	13	19	25	32	63	71	80	90	100	110	125	140		
GPSA	5	8	10	13				63	71							1.2	8
GPSA	6	8	10	13				63	71	80						1.3	9
GPSA	8	8	10	13				63	71	80	90					1.4	11
GPSA	10		10	13	19			63	71	80	90	100	110			1.8	13
GPSA	13		10	13	19			63	71	80	90	100	110	125		3.0	16
GPSA	16			13	19	25			71	80	90	100	110	125	140	5.6	19
GPSA	20			13	19	25			71	80	90	100	110	125	140	5.6	24
GPSA	25			13	19	25			71	80	90	100	110	125	140	5.6	29
GPSA	32				19	25	32			80	90	100	110	125	140	9.8	36
GPSA	40				19	25	32			80	90	100	110	125	140	11.9	45



General Punch Shoulder Parabolic Pilot



GPSP



Ordering Example:
(12) GPSP 20-13-63 M2 P18.3

A2, R/c 60-63 double tempered
M2, R/c 60-63 triple tempered

Heads drawn to Rc 40-55

Type	"D"	Point Length "SBR"						Length "L"							Min. "P"	Head Dia. "H"	
		8	10	13	19	25	32	50	56	63	71	80	90	100			
GPSP	5	8	10	13				50	56	63	71					1.2	8
GPSP	6	8	10	13				50	56	63	71	80				1.3	9
GPSP	8	8	10	13				50	56	63	71	80				1.4	11
GPSP	10		10	13	19			50	56	63	71	80	90	100		1.8	13
GPSP	13		10	13	19			50	56	63	71	80	90	100	3.0	16	
GPSP	16			13	19	25		50	56	63	71	80	90	100	5.6	19	
GPSP	20			13	19	25			56	63	71	80	90	100	5.6	24	
GPSP	25			13	19	25			56	63	71	80	90	100	5.6	29	
GPSP	32				19	25	32			71	80	90	100	100	9.8	36	
GPSP	40				19	25	32				80	90	100	100	11.9	45	

Made better to last longer

All specifications, dimensions and design characteristics shown are subject to change without notice

Quality Craftsmanship Assured

Email: sales@diemouldequipment.com.au

Die Mould Equipment

Web: www.diemouldequipment.com.au

© The copyright in this material vests in Die Mould Equipment Pty Ltd and may not be reproduced, adapted or communicated without the express written permission of the copyright owner.