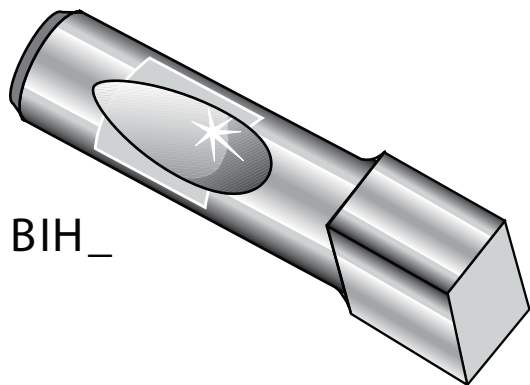
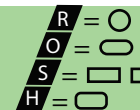




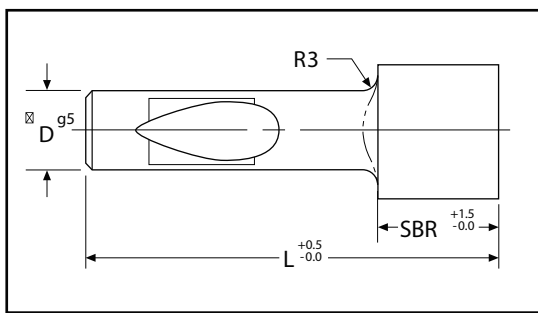
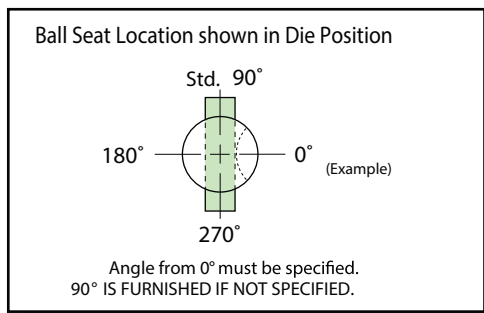
B all-Lock I nverted H eavy-Duty



BIH_

Ordering Example:
(9) BIHR 25-25-90 M2 P32.4

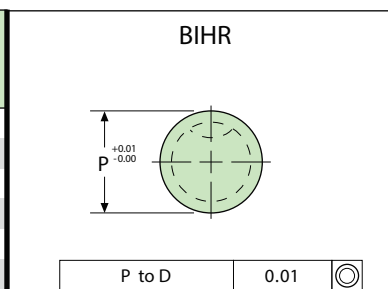
M2, R/c 60-63 triple tempered



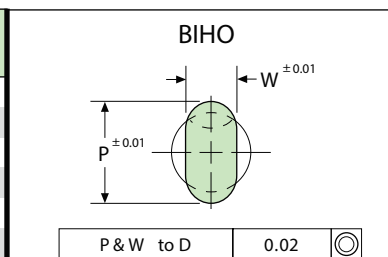
$$\text{BIHS "G"} = \sqrt{P^2 + W^2}$$

$$\text{BIHH "G"} = \left(\sqrt{(P - 1.0)^2 + (W - 1.0)^2} \right) + 1.0$$

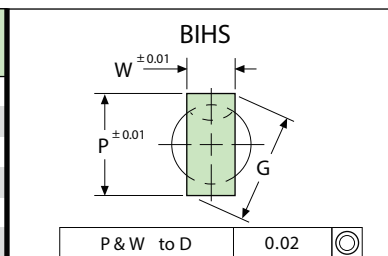
| Type | "D" | Point Length "SBR" | Overall Length "L" | | | | Min. "P" | Max. "P" |
|------|-----|--------------------|--------------------|----|----|-----|----------|----------|
| | | | 71 | 80 | 90 | 100 | | |
| BIHR | 13 | 20 | 71 | 80 | 90 | 100 | 13.1 | 32.0 |
| BIHR | 16 | 25 | 71 | 80 | 90 | 100 | 16.1 | 38.0 |
| BIHR | 20 | 25 | 71 | 80 | 90 | 100 | 20.1 | 38.0 |
| BIHR | 25 | 25 | 71 | 80 | 90 | 100 | 25.1 | 45.0 |
| BIHR | 32 | 32 | | 80 | 90 | 100 | 32.1 | 50.0 |
| BIHR | 40 | 32 | | 80 | 90 | 100 | 40.1 | 63.5 |



| Type | "D" | "SBR" | 71 | 80 | 90 | 100 | Min. "W" | Max. "P" |
|------|-----|-------|----|----|----|-----|----------|----------|
| BIHO | 13 | 20 | 71 | 80 | 90 | 100 | 5.0 | 32.0 |
| BIHO | 16 | 25 | 71 | 80 | 90 | 100 | 6.5 | 38.0 |
| BIHO | 20 | 25 | 71 | 80 | 90 | 100 | 8.0 | 38.0 |
| BIHO | 25 | 25 | 71 | 80 | 90 | 100 | 11.0 | 45.0 |
| BIHO | 32 | 32 | | 80 | 90 | 100 | 12.5 | 50.0 |
| BIHO | 40 | 32 | | 80 | 90 | 100 | 14.0 | 63.5 |



| Type | "D" | "SBR" | 71 | 80 | 90 | 100 | Min. "W" | Max. "G" |
|------|-----|-------|----|----|----|-----|----------|----------|
| BIHS | 13 | 20 | 71 | 80 | 90 | 100 | 5.0 | 32.0 |
| BIHS | 16 | 25 | 71 | 80 | 90 | 100 | 6.5 | 38.0 |
| BIHS | 20 | 25 | 71 | 80 | 90 | 100 | 8.0 | 38.0 |
| BIHS | 25 | 25 | 71 | 80 | 90 | 100 | 11.0 | 45.0 |
| BIHS | 32 | 32 | | 80 | 90 | 100 | 12.5 | 50.0 |
| BIHS | 40 | 32 | | 80 | 90 | 100 | 14.0 | 63.5 |



| Type | "D" | "SBR" | 71 | 80 | 90 | 100 | Min. "W" | Max. "G" |
|------|-----|-------|----|----|----|-----|----------|----------|
| BIHH | 13 | 20 | 71 | 80 | 90 | 100 | 5.0 | 32.0 |
| BIHH | 16 | 25 | 71 | 80 | 90 | 100 | 6.5 | 38.0 |
| BIHH | 20 | 25 | 71 | 80 | 90 | 100 | 8.0 | 38.0 |
| BIHH | 25 | 25 | 71 | 80 | 90 | 100 | 11.0 | 45.0 |
| BIHH | 32 | 32 | | 80 | 90 | 100 | 12.5 | 50.0 |
| BIHH | 40 | 32 | | 80 | 90 | 100 | 14.0 | 63.5 |

