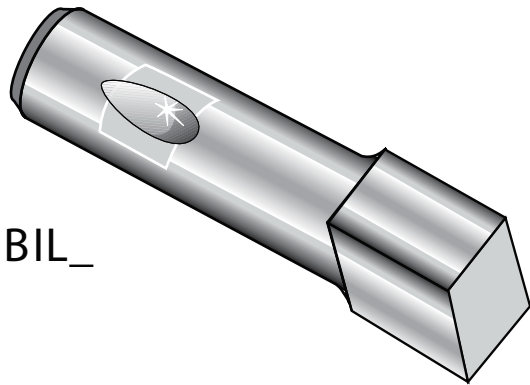
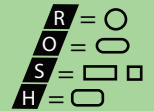




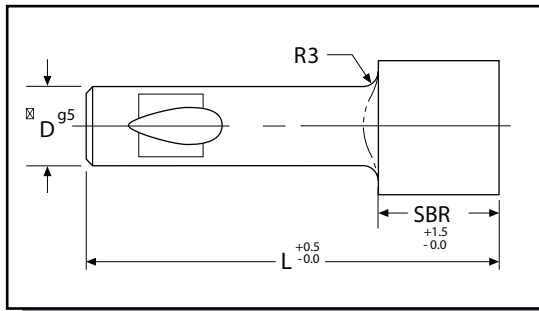
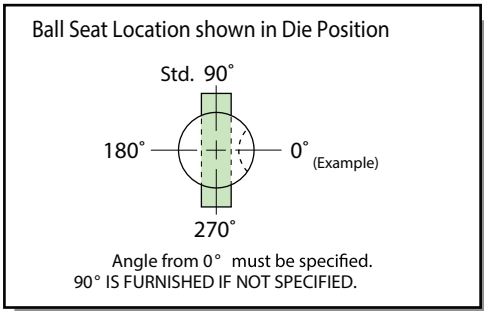
Ball-Lock Inverted Light-Duty



BIL_

Ordering Example:
(9) BILR 25-25-90 M2 P32.4

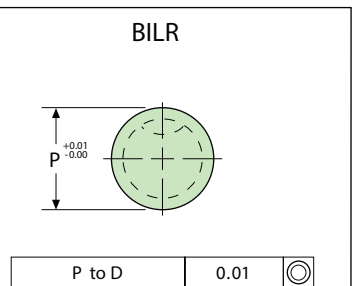
M2, R/c 60-63 triple tempered



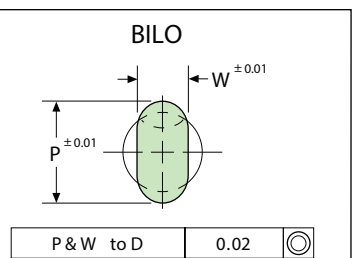
$$\text{BILS "G"} = \sqrt{P^2 + W^2}$$

$$\text{BILH "G"} = \left(\sqrt{(P - 1.0)^2 + (W - 1.0)^2} \right) + 1.0$$

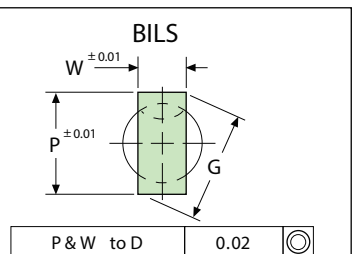
Type	"D"	Point Range "SBR"	Overall Length "L"				Min. "p"	Max. "p"
			71	80	90	100		
BILR	10	16	71	80	90	100	10.1	22.0
BILR	13	20	71	80	90	100	13.1	32.0
BILR	16	25	71	80	90	100	16.1	38.0
BILR	20	25	71	80	90	100	20.1	38.0
BILR	25	25	71	80	90	100	25.1	45.0
BILR	32	32		80	90	100	32.1	50.0



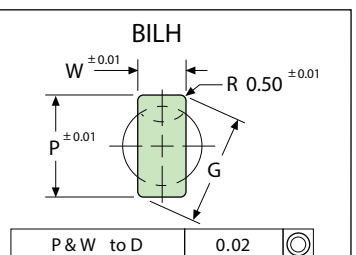
Type	"D"	"SBR"	71	80	90	100	Min. "W"	Max. "p"
BILO	10	16	71	80	90	100	4.5	22.0
BILO	13	20	71	80	90	100	5.0	32.0
BILO	16	25	71	80	90	100	6.5	38.0
BILO	20	25	71	80	90	100	8.0	38.0
BILO	25	25	71	80	90	100	11.0	45.0
BILO	32	32		80	90	100	12.5	50.0



Type	"D"	"SBR"	71	80	90	100	Min. "W"	Max. "G"
BILS	10	16	71	80	90	100	4.5	22.0
BILS	13	20	71	80	90	100	5.0	32.0
BILS	16	25	71	80	90	100	6.5	38.0
BILS	20	25	71	80	90	100	8.0	38.0
BILS	25	25	71	80	90	100	11.0	45.0
BILS	32	32		80	90	100	12.5	50.0



Type	"D"	"SBR"	71	80	90	100	Min. "W"	Max. "G"
BILH	10	16	71	80	90	100	4.5	22.0
BILH	13	20	71	80	90	100	5.0	32.0
BILH	16	25	71	80	90	100	6.5	38.0
BILH	20	25	71	80	90	100	8.0	38.0
BILH	25	25	71	80	90	100	11.0	45.0
BILH	32	32		80	90	100	12.5	50.0



Made better to last longer

All specifications, dimensions and design characteristics shown are subject to change without notice

Quality Craftsmanship Assured

Email: sales@diemouldequipment.com.au

Die Mould Equipment

Web: www.diemouldequipment.com.au

© The copyright in this material vests in Die Mould Equipment Pty Ltd and may not be reproduced, adapted or communicated without the express written permission of the copyright owner.