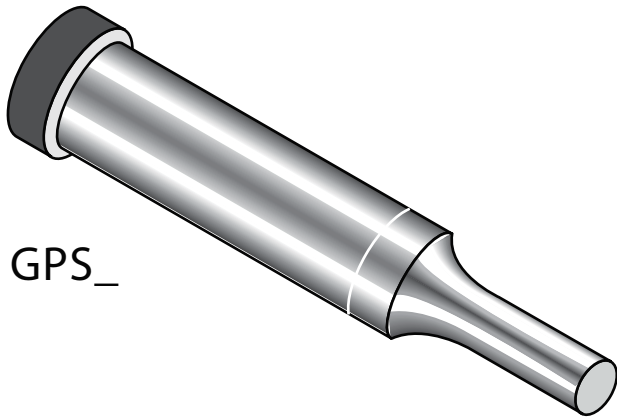
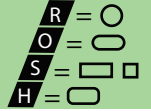




General Punch Shoulder



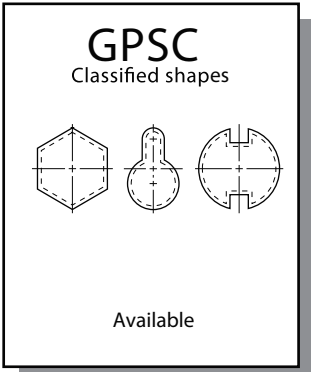
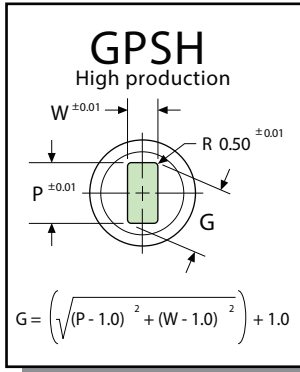
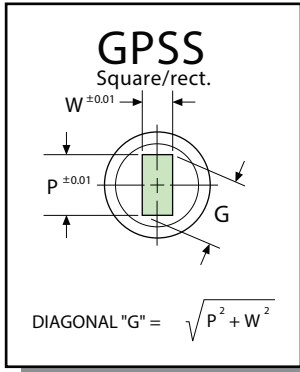
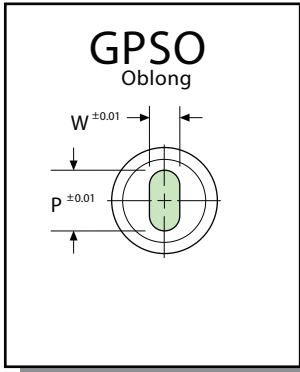
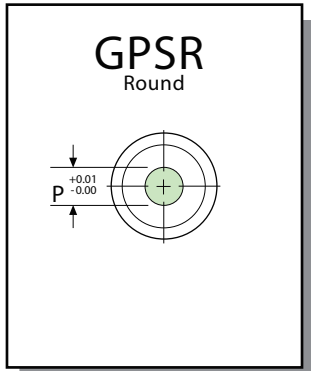
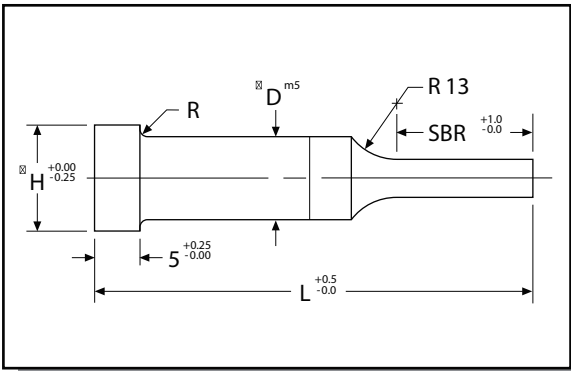
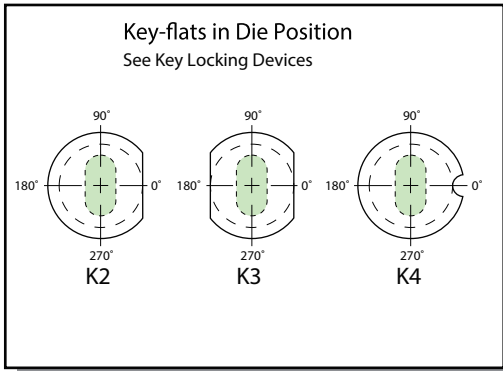
GPS_

Ordering Example:
(12) GPSR 6-13-63 M2 P4.2

Ordering Example:
(10) GPSS 16-19-80 M2 P12.2 W8.5 K4

A2, R/c 60-63 double tempered
M2, R/c 60-63 triple tempered
Heads drawn to Rc 40-55

Round P to D	0.01	
Shape P & W to D	0.02	



Type	"D"	Point Length "SBR"						Overall Length "L"							Round "P" min.	Shape "W" min.	Head Dia. "H"
		8	10	13	19	25	32	50	56	63	71	80	90	100			
GPS_	4	8	10					50	56	63					0.8	0.8	7
GPS_	5	8	10	13				50	56	63	71				1.3	1.3	8
GPS_	6	8	10	13				50	56	63	71	80			1.4	1.4	9
GPS_	8	8	10	13				50	56	63	71	80			1.5	1.5	11
GPS_	10		10	13	19			50	56	63	71	80	90	100	1.9	1.9	13
GPS_	13		10	13	19			50	56	63	71	80	90	100	3.1	3.1	16
GPS_	16			13	19	25		50	56	63	71	80	90	100	5.7	5.7	19
GPS_	20			13	19	25			56	63	71	80	90	100	5.7	5.7	24
GPS_	25			13	19	25			56	63	71	80	90	100	5.7	5.7	29
GPS_	32				19	25	32				71	80	90	100	9.9	9.9	36
GPS_	40				19	25	32					80	90	100	12.0	12.0	45
GPS_	45					25	32					80	90	100	14.0	14.0	50
GPS_	50					25	32					80	90	100	16.0	16.0	55
GPS_	56						25	32				80	90	100	18.0	18.0	61
GPS_	63						25	32				80	90	100	20.0	20.0	68

Made better to last longer

All specifications, dimensions and design characteristics shown are subject to change without notice

Quality Craftsmanship Assured

Email: sales@diemouldequipment.com.au

Die Mould Equipment

Web: www.diemouldequipment.com.au

© The copyright in this material vests in Die Mould Equipment Pty Ltd and may not be reproduced, adapted or communicated without the express written permission of the copyright owner.