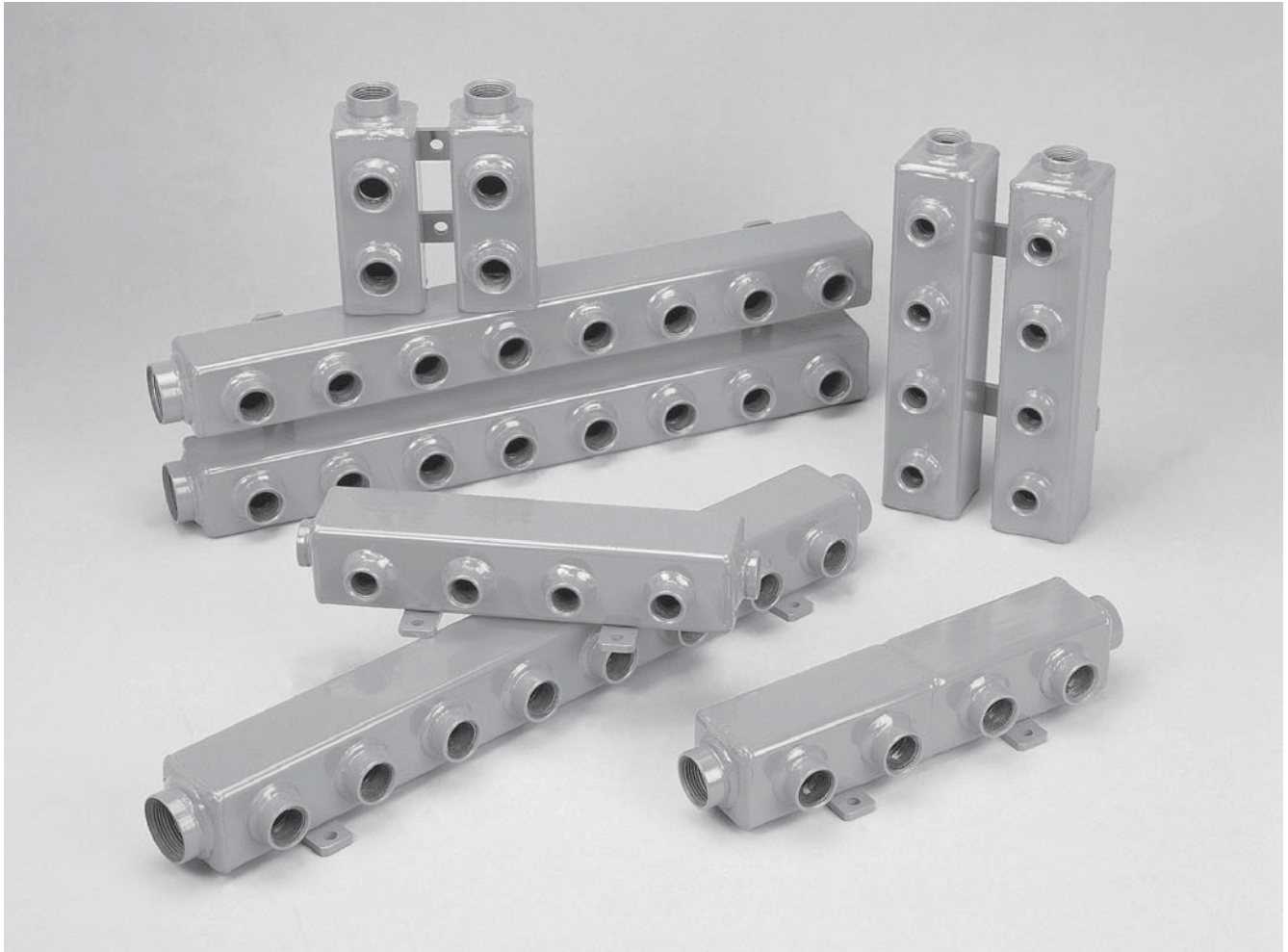

Steel Manifolds

Painted and Stainless



Painted Steel Manifolds:

Our painted steel water manifolds help you increase cycles through more efficient water distribution. They help you tidy your hoses while reducing the number of hoses to mold. Mount the manifolds close to your mold for maximum flow volumes. Platen-mounted manifolds reduce hose lengths (if you plan to keep platen-mounted manifolds in storage with your mold, we recommend that you select our anodized aluminum or stainless steel manifolds).

Manufactured from heavy gauge mild steel with threaded couplings welded in place. Pre-drilled mounting brackets for easy mounting to your mold platens or temperature controller are included.

Stainless Steel Manifolds:

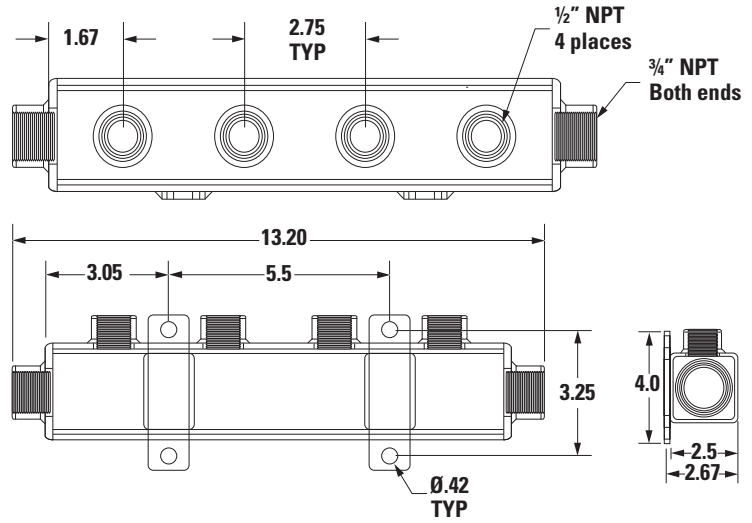
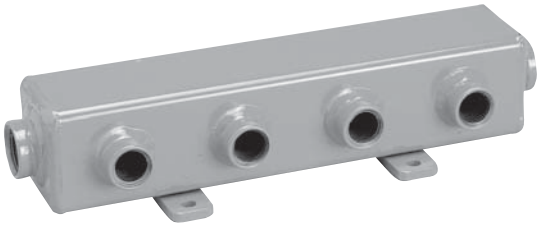
All the benefits of our painted steel manifolds: better water distribution for increased cycles, reduced number of hoses, tidier hose arrangements...and a big PLUS: NO RUST OR CORROSION. If your plant has poor water quality, the extra investment in stainless steel pays off fast in lower maintenance and maximum flow volumes at all times. If you platen-mount the manifolds, you can put them into storage with no fear or rust.

Steel Manifolds

Painted and Stainless-SINGLE

Features:

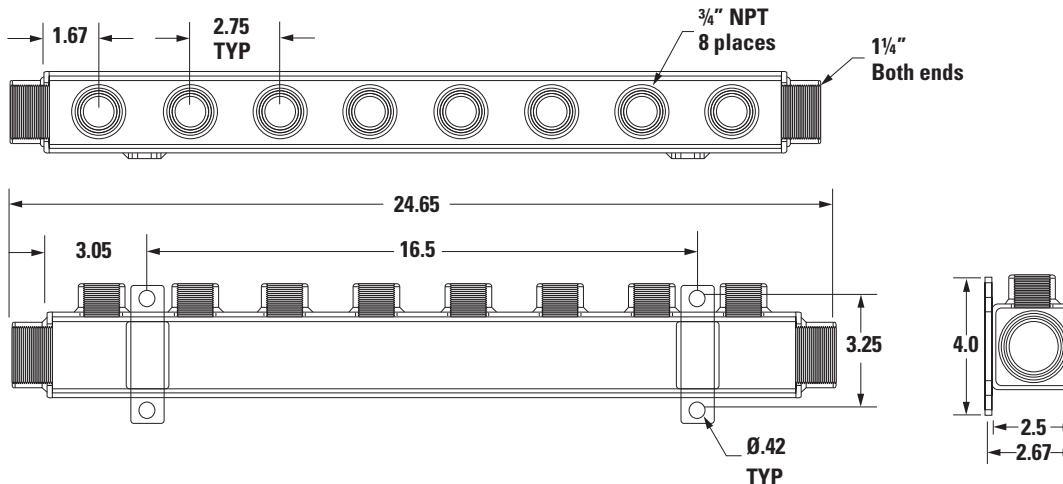
- Painted manifolds are manufactured from heavy-gauge mild steel
- Threaded couplings are welded in place
- Pre-drilled mounting brackets for easy mounting
- Pressure rated to 120 psi
- Temperature rated to 300° F



Steel Type	Inlets		Outlets		Dimensions			Part Number
	NPT	Qty	NPT	Qty	L	W	H	
Painted	3/4"	2	1/2"	4	12 3/4"	2 1/2"	2 1/2"	CWM4
Stainless	3/4"	2	1/2"	4	12 3/4"	2 1/2"	2 1/2"	CWM4CR



Steel Type	Inlets		Outlets		Dimensions			Part Number
	NPT	Qty	NPT	Qty	L	W	H	
Painted	1 1/4"	2	3/4"	8	24 1/4"	2 1/2"	2 1/2"	CWM8A
Stainless	1 1/4"	2	3/4"	8	24 1/4"	2 1/2"	2 1/2"	CWM8ACR



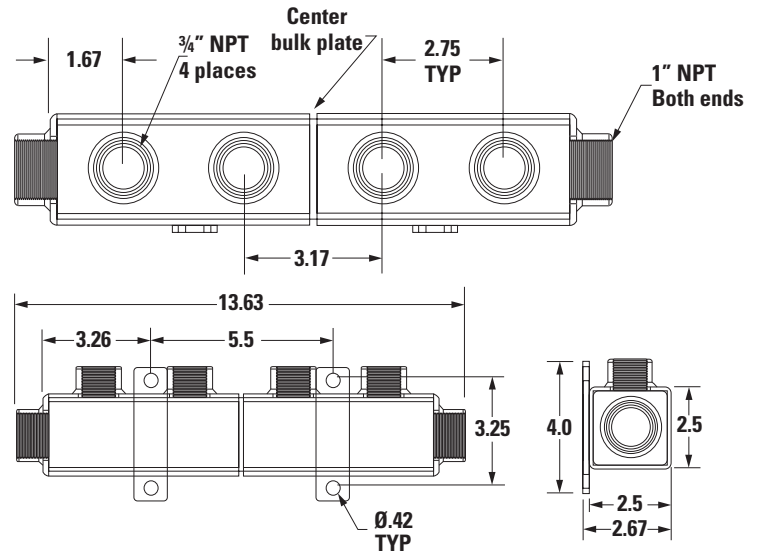
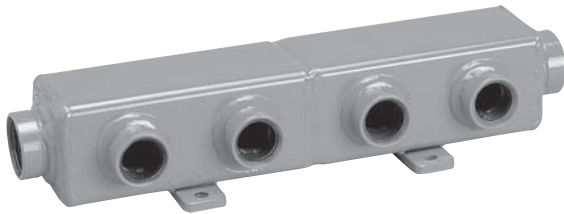
Steel Manifolds

Painted and Stainless-SINGLE



Features:

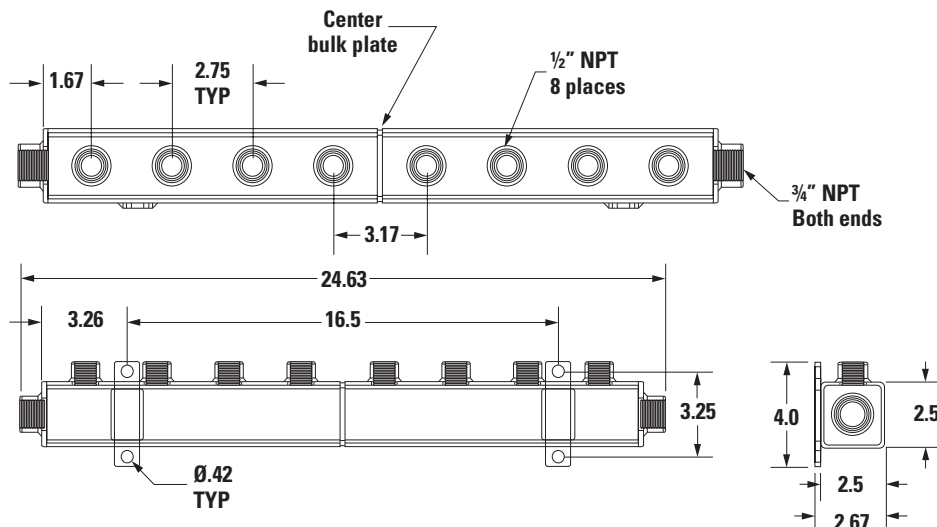
- Painted manifolds are manufactured from heavy-gauge mild steel
- Threaded couplings are welded in place
- Pre-drilled mounting brackets for easy mounting
- Pressure rated to 120 psi
- Temperature rated to 300° F



Steel Type	Inlets		Outlets		Dimensions			Part Number.
	NPT	Qty	NPT	Qty	L	W	H	
Painted	1"	2	3/4"	4	13 1/2"	2 1/2"	2 1/2"	CWML22
Stainless	1"	2	3/4"	4	13 1/2"	2 1/2"	2 1/2"	CWML22CR



Steel Type	Inlets		Outlets		Dimensions			Part Number
	NPT	Qty	NPT	Qty	L	W	H	
Painted	3/4"	2	1/2"	8	24"	2 1/2"	2 1/2"	CWM44
Stainless	3/4"	2	1/2"	8	24"	2 1/2"	2 1/2"	CWM44CR

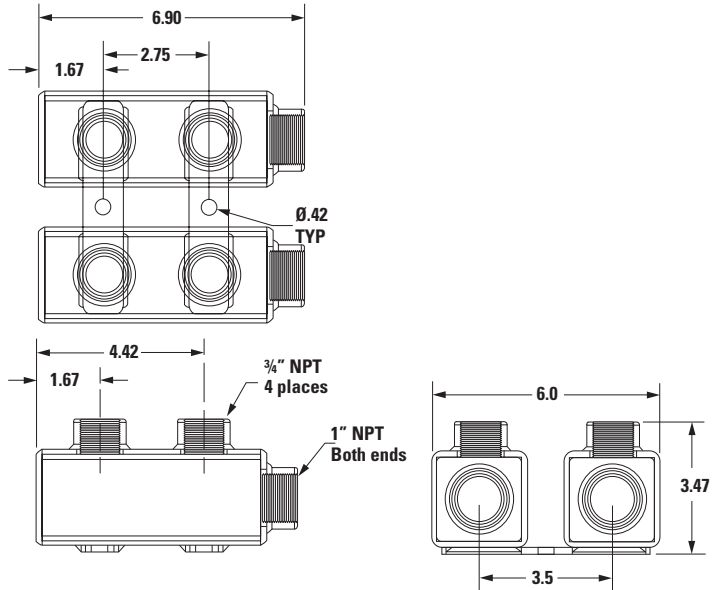


Steel Manifolds

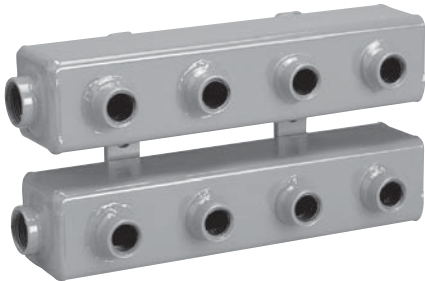
Painted and Stainless-STACKED

Features:

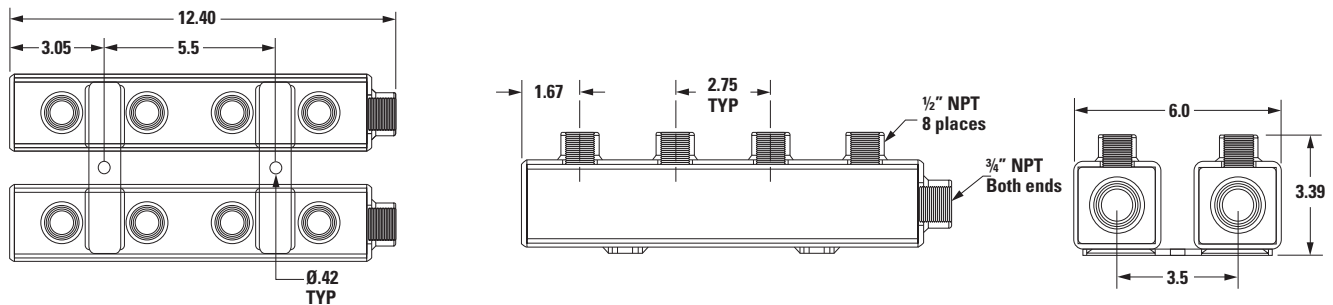
- Painted manifolds are manufactured from heavy-gauge mild steel
- Threaded couplings are welded in place
- Pre-drilled mounting brackets for easy mounting
- Pressure rated to 120 psi
- Temperature rated to 300° F



Steel Type	Inlets		Outlets		Dimensions			Part Number
	NPT	Qty	NPT	Qty	L	W	H	
Painted	1"	2	3/4"	4	7"	6"	2 1/2"	CWML2S2
Stainless	1"	2	3/4"	4	7"	6"	2 1/2"	CWML2S2CR

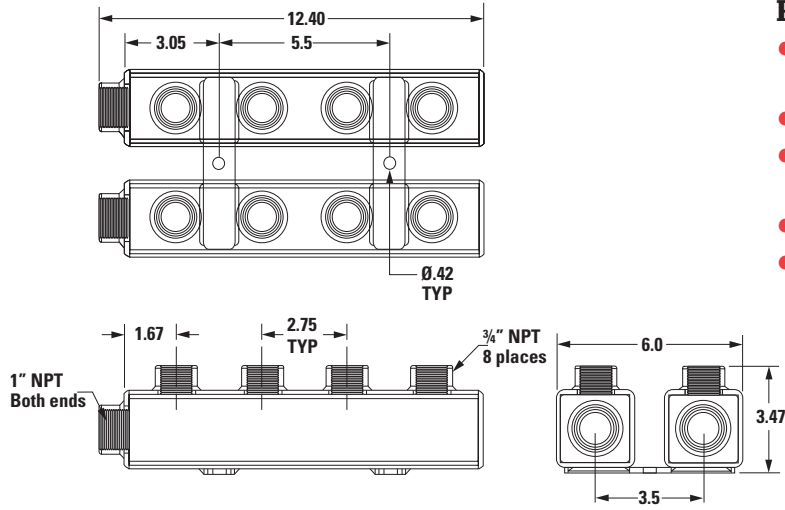


Steel Type	Inlets		Outlets		Dimensions			Part Number
	NPT	Qty	NPT	Qty	L	W	H	
Painted	3/4"	2	1/2"	8	12 1/4"	6"	2 1/2"	CWM4S4
Stainless	3/4"	2	1/2"	8	12 1/4"	6"	2 1/2"	CWM4S4CR



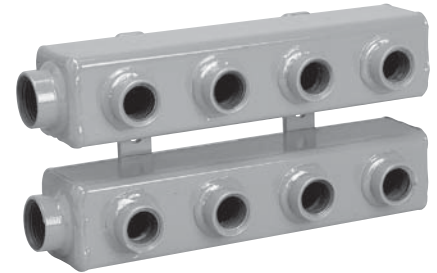
Steel Manifolds

Painted and Stainless-STACKED



Features:

- Painted manifolds are manufactured from heavy-gauge mild steel
- Threaded couplings are welded in place
- Pre-drilled mounting brackets for easy mounting
- Pressure rated to 120 psi
- Temperature rated to 300°F



Steel Type	Inlets		Outlets		Dimensions			Part Number
	NPT	Qty	NPT	Qty	L	W	H	
Painted	1"	2	3/4"	8	12 1/2"	6"	2 1/2"	CWML4S4
Stainless	1"	2	3/4"	8	12 1/2"	6"	2 1/2"	CWML4S4CR



Steel Type	Inlets		Outlets		Dimensions			Part Number
	NPT	Qty	NPT	Qty	L	W	H	
Painted	1 1/4"	2	3/4"	16	23 1/2"	6"	2 1/2"	CWM8S8A
Stainless	1 1/4"	2	3/4"	16	23 1/2"	6"	2 1/2"	CWM8S8ACR

