

Slide Mould Pressure Sensors

DME Slide Mould Pressure Sensors are used for measuring pressures in conjunction with auxiliary recording and control equipment in injection and transfer moulds. They provide a constant, full-scale output of 2 millivolts per volt. Because each sensor is electrically identical, the need for recalibration of control systems or recorders when a sensor is replaced is virtually eliminated. This means that errors in calibration are non-existent and operating personnel will now have an easier time setting up and operating control systems and recorders.

Constant Output

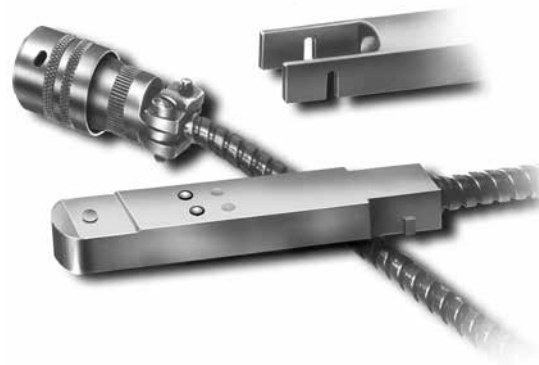
All sensors have the same output. This eliminates the need to recalibrate the readout system when sensors are exchanged.

Hermetically Sealed

Allows the sensor to be used at low temperatures where moisture is a problem.

Temperature Compensated

Special amplifiers are eliminated to compensate for temperature changes.



Easily Removed

Allows user to take sensor from one mould and place in another.

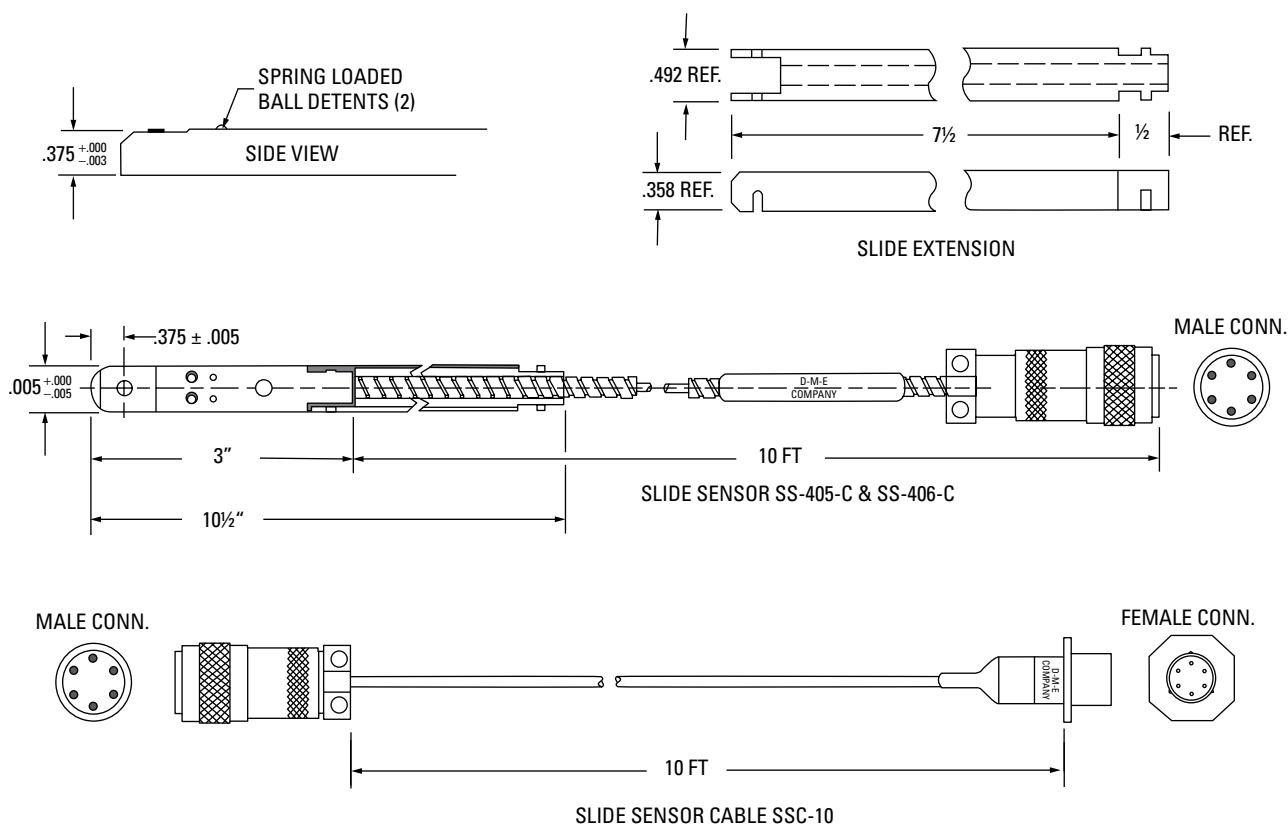
Two Models

Covers ejector pin sizes from 1/16" to 1/2" diameter, eliminating the need for stocking several different load ranges.

Installation

The sensing element is housed in a rectangular slide that plugs into a 3/8" deep by 1/2" wide slot, machined from the edge of the ejector plate to an ejector pin (slot machined in support plate when using a dummy pin). When fully inserted, the sensing element of the slide is under the head of the pin. See installation information for details.

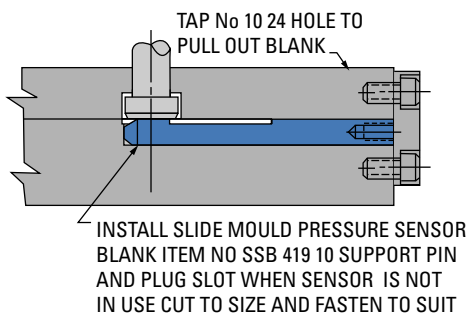
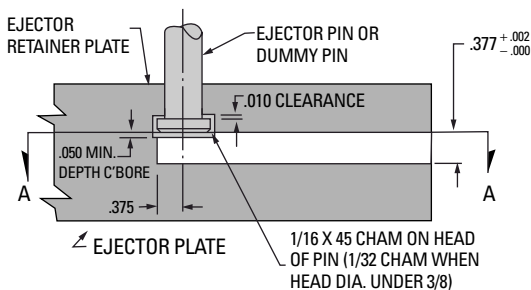
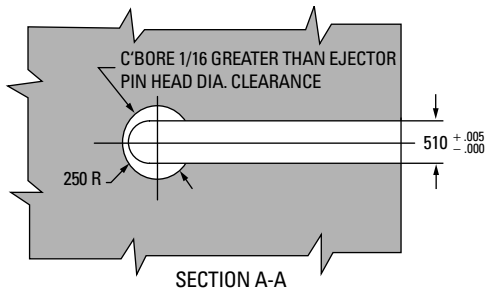
NIST TRACEABLE
SUPPLIED WITH CERTIFICATE OF CALIBRATION



Order Desk 1800 224 135 (Free call) ■ sales@diemouldequipment.com.au
www.diemouldequipment.com.au

Slide Mould Pressure Sensors

INSTALLATION INFORMATION



SLIDE MOULD PRESSURE SENSORS

ITEM NUMBER	MEASURES PRESSURES ON PINS FROM:
SS-405C	1/16 THRU 3/16 (2 THRU 6mm) Dia.
SS-406C	3/16 THRU 1/2 (6 THRU 16mm) Dia.

SIDE EXTENSION

ITEM NUMBER	LENGTH
SSE-418	7 1/2"

SENSOR BLANK

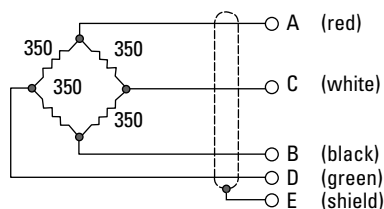
ITEM NUMBER	LENGTH
SSB-419	12"

SLIDE SENSOR EXTENSION CABLE**

ITEM NUMBER	LENGTH
SSC-10	10 ft.

**Mates with connector on slide sensors above. Has Amphenol connector No. PT01A10-6S(SR) on one end and Amphenol connector No. PT06A10-6P(SR) on the other end. Use where required for monitoring and control equipment.

WIRING INFORMATION



- + POWER A (red)
- POWER B (black)
- + SIGNAL C (white)
- SIGNAL D (green)
- GROUND E (shield)

WARNING:
DO NOT REMOVE CONNECTOR FROM SENSOR CABLE. CALIBRATION WILL BE ALTERED.

SPECIFICATIONS

PRESSURE MEASUREMENT RANGE.....	0 to 20,000 psi
(FOR RECOMMENDED PIN DIAMETERS)	
FORCE RANGE.....	lb. kg.
ITEM NO. SS-405C500 225
ITEM NO. SS-406C	2000 900
MAXIMUM LOAD.....	150% FULL SCALE
TEMPERATURE RANGE.....	0°F TO 450°F
TEMPERATURE COMPENSATION.....	2% FULL SCALE/100°F
INPUT	12V MAX.
OUTPUT	2.0 mV/V FULL SCALE
ACCURACY.....	3/4% FULL SCALE
REPEATABILITY	0.1% FULL RANGE OUTPUT
FULL RANGE DEFLECTION	LESS THAN .0008"
CIRCUIT	4-ARM 350 OHM BRIDGE
CABLE LENGTH	10 FEET
CONNECTOR	AMPHENOL PT06A10-6P(SR)
	MATES WITH AMPHENOL PT01A10-6S(SR)