

## Counterbores



- Built-in chamfering operation
- Stub length for rigidity
- Three flute spiral design
- High speed steel

Here is a special purpose tool that not only performs its job well, but gives you added tooling performance besides. The built-in chamfer design automatically allows clearance for the radius under the Ejector Pin Head and insures proper seating of the pin.

D-M-E Counterbores are hardened and precision ground from top quality high speed steel to give you cleaner cutting and longer life. The three-flute spiral design has been engineered to reduce tool wear and give faster cutting action through rapid chip clearance.

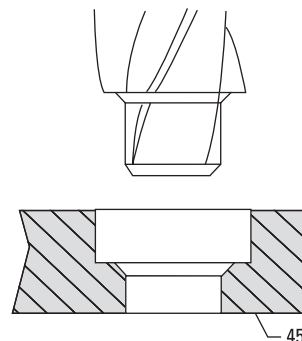
D-M-E Counterbores can help make counterboring easier and reduce your tooling costs... and here's how:

1. Drill the retainer plate to suit your D-M-E Ejector Pin diameter
2. Select the D-M-E Counterbore with the same Item Number as the D-M-E Ejector Pin to be used (\*) and counterbore to the proper depth... *And that's it!*

(\*) Example: For an EX-17 Ejector Pin or C-17 Core Pin, use a CB-17 Counterbore.

## COUNTERBORES FOR EJECTOR PINS

ITEM NUMBER	EJ. PIN SIZE "G"	C-BORE BODY DIA.	PILOT LENGTH*	SHANK DIAMETER	OVERALL LENGTH
CB-9	1/8(T)	17/64	3/16	1/4	2 5/8
CB-10	9/64	17/64	3/16	1/4	2 5/8
CB-11	5/32	19/64	3/16	1/4	2 3/4
CB-12	11/64	23/64	3/16	1/4	3 1/16
CB-13	3/16	25/64	3/16	3/8	3 1/4
CB-14	13/64	25/64	3/16	3/8	3 1/4
CB-15	7/32	27/64	1/4	3/8	3 3/8
CB-16	15/64	27/64	1/4	3/8	3 3/8
CB-17	1/4	29/64	1/4	7/16	3 9/16
CB-18	17/64	29/64	1/4	7/16	3 9/16
CB-19	9/32	29/64	1/4	7/16	3 9/16
CB-20	19/64	33/64	5/16	1/2	3 7/8
CB-21	5/16	33/64	5/16	1/2	3 7/8
CB-22	21/64	37/64	5/16	1/2	4 1/8
CB-23	11/32	37/64	5/16	1/2	4 1/8
CB-24	23/64	41/64	5/16	5/8	4 1/2
CB-25	3/8	41/64	5/16	5/8	4 1/2
CB-27	13/32	45/64	5/16	5/8	4 3/4
CB-29	7/16	49/64	5/16	5/8	4 3/4
CB-31	15/32	49/64	5/16	5/8	5 1/8
CB-33	1/2	49/64	5/16	5/8	5 1/8
CB-35	9/16	53/64	5/16	5/8	5 3/8
CB-37	5/8	57/64	5/16	5/8	5 5/8
CB-39	11/16	61/64	5/16	5/8	5 7/8
CB-41	3/4	1 1/64	5/16	5/8	6 1/4
CB-45	7/8	1 9/64	5/16	3/4	6 1/4
CB-47	1"	1 17/64	5/16	3/4	6 1/4



## COUNTERBORES FOR JIFFY-TITE CONNECTORS

ITEM NUMBER	FOR USE WITH	C-BORE BODY DIA.	PILOT DIA.	SHANK DIA.	OVERALL LENGTH
CB-80	JP-251	1 1/16	.337	1/2	4 1/8
CB-81	JP-252(SV)	27/32	.435	5/8	4 3/4
CB-82	JP-253(SV) JP-353(SV)	1.000	.575	5/8	5 5/8
CB-83	JP-354(SV)	1 3/16	.715	3/4	6 1/4

(T) For EX-3 through EX-9 Ejector Pins, use Counterbore CB-9.

\*Pilot diameters are approximately .001 to .004 under EJ. Pin Size "G" diameter shown.