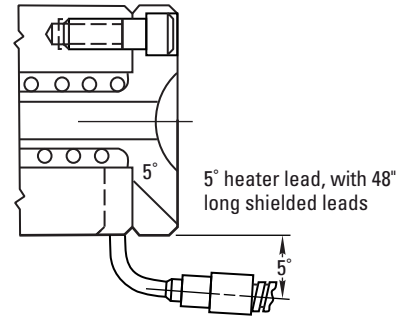


Straight-Shot™ Bushings Replacement Parts

Replacement Heaters for Straight-Shot Hot Sprue Bushings Standard

ITEM NUMBER*	VOLTS	WATTS	L	BUSHING SERIES
SSTC-31	120	300	4%	S, E & ER (Long Style), T & TR
SSTC-32	240	300	4%	S, E & ER (Long Style), T & TR
SSTC-42	240	250	2½	E & ER (Short Style)

* Includes installation wrench.



Straight-Shot Heater Installation and Removal Wrench

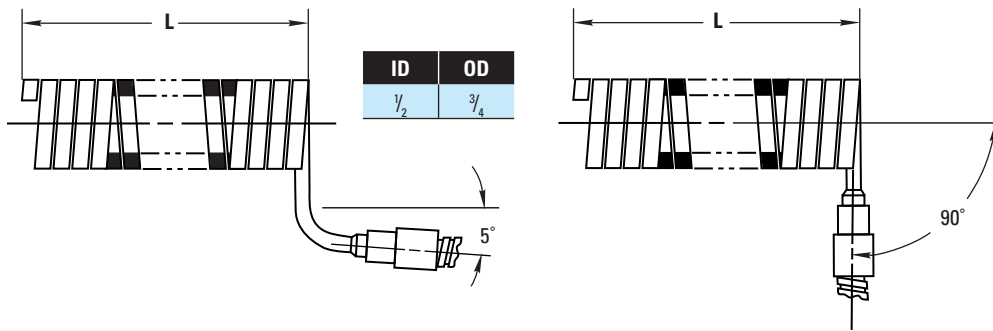
(Included with heaters above).

ITEM NUMBER	USED WITH
WR 087-5	SSTC-31 & 32 Series
WR 087-4	SSTC-42 Series

Available On Request:

Heaters with 90° exit leads. Add "90" to item number.

Example: SSTC-31-90



Replacement Parts for Discontinued Hot Sprue Bushings (HBT-6630 through 6636), Temperature Controllers (PFC-5) and Control Modules (FC-5)

Cartridge Heaters

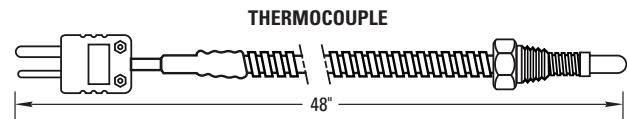
DIA.	LENGTH	WATTS	VOLTS	ITEM NUMBER
1/4	2½	240	200	HBC-202-2*
1/4	3¾	240	300	HBC-203-2@

* Used with Hot Sprue Bushings 5¾ long; heater supplied with leads 48" long.

@ Used with Hot Sprue Bushings 6¾ long; heater supplied with leads 46" long.

Thermocouple Cartridge Heaters

DIA.	LENGTH	VOLTS	WATTS	ITEM NUMBER
1/4	2½	240	200	HBTC-202-2*
1/4	3¾	240	300	HBTC-203-2@



Threaded type thermocouple is spring loaded and supplied with cable and mini plug.

ITEM NUMBER
TCT-4

ITEM NUMBER	AMPS
ABC-5	5
13X-5	5

Replacement Fuses for Temperature Control Modules (FC-5) and Temperature Controllers (PFC-5)

See the D-M-E Control Systems Catalog for new controllers.